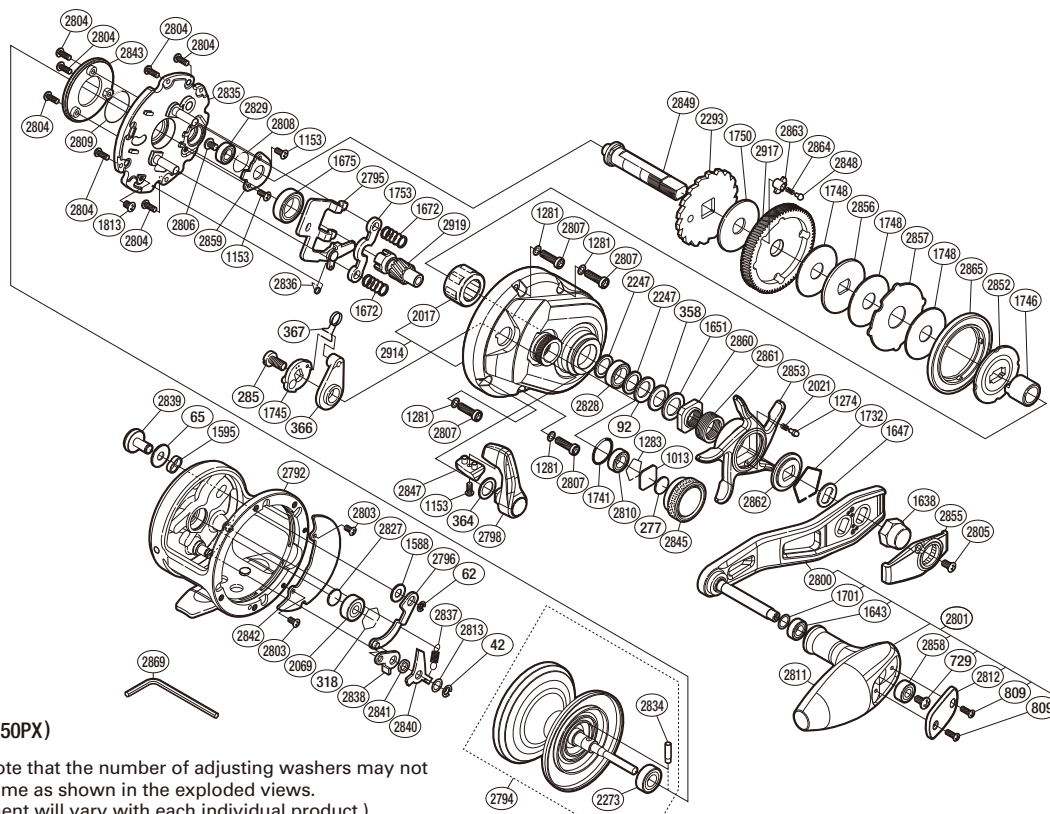


SHIMANO

OCEA JIGGER

SA-RB

OCEA JG-1500PG



(51RL02150PX)

Please note that the number of adjusting washers may not be the same as shown in the exploded views.
(Adjustment will vary with each individual product.)

The (2273) Bearing, (2834) Spool clutch pin, and (2017) Roller clutch cannot be replaced by the customer.
To replace these parts, please request after-sales service.

Part No.	Description	Part No.	Description	Part No.	Description
TGT0042	E Lock	TGT1750	Drag Washer	TGT2836	Clutch Pawl Spring
TGT0062	E Lock	TGT1753	Yoke	TGT2837	Anti-Reverse Pawl Spring
TGT0065	Spacer	TGT1813	Screw	TGT2838	F-Anti-Reverse Switch
TGT0092	Drag Spring Washer (H)	TGT2017	Roller Clutch Bearing	TGT2839	F-Anti-Reverse Knob
TGT0277	Cast Control Spacer	TGT2021	Click Spring	TGT2840	F-Baitrunner Pawl
TGT0285	Screw	TGT2069	Ball Bearing	TGT2841	F-Bushing
TGT0318	Bearing Retainer	TGT2247	Washer	TGT2842	Set Plate Sticker
TGT0358	Drag Spring Washer (L)	TGT2273	Ball Bearing	TGT2843	Drainage Plate
TGT0364	Washer	TGT2293	Anti-Reverse Ratchet Assembly	TGT2845	Cast Control Cap
TGT0366	Eccentric Cam Bushing	TGT2792	Frame Assembly	TGT2847	Clutch Lever Protector
TGT0367	Clutch Spring	TGT2794	Spool Assembly(With Bearing)	TGT2848	Drag Click
TGT0729	Screw	TGT2795	Clutch Plate Assembly	TGT2849	Drive Shaft
TGT0809	Screw	TGT2796	F-Anti-Reverse Link Assembly	TGT2852	Pressure Plate
TGT1013	Spool Tension Spacer	TGT2798	Clutch Lever Assembly	TGT2853	Star Drag
TGT1153	Screw	TGT2800	Handle Shank Assembly	TGT2855	Handle Nut Plate
TGT1274	Click Pin	TGT2801	Handle Assembly	TGT2856	Drag Washer
TGT1281	Washer	TGT2803	Screw	TGT2857	Eared Washer
TGT1283	Bearing Retainer	TGT2804	Screw	TGT2858	Ball Bearing
TGT1588	Spacer	TGT2805	Screw	TGT2859	Drive Shaft Retainer
TGT1595	Click Switch Cam	TGT2806	Screw	TGT2860	Star Drag Nut
TGT1638	Handle Nut	TGT2807	Screw	TGT2861	Star Drag Spring
TGT1643	Ball Bearing	TGT2808	O Ring	TGT2862	Star Drag Click Plate
TGT1647	Drive Shaft Shield	TGT2809	O Ring	TGT2863	Drag Click Pin Holder
TGT1651	Star Drag Spacer	TGT2810	Ball Bearing	TGT2864	Click Spring
TGT1672	Yoke Spring	TGT2811	Handle Knob	TGT2865	Drag Click Ratchet
TGT1675	Ball Bearing	TGT2812	Handle Knob I.D. Plate	TGT2914	Right Side Plate Assembly
TGT1701	Washer	TGT2813	Washer	TGT2917	Drive Gear
TGT1732	Click Plate Retainer	TGT2827	Spacer B	TGT2919	Pinion Gear
TGT1741	O Ring	TGT2828	Ball Bearing		
TGT1745	Clutch Cam Assembly	TGT2829	Ball Bearing		
TGT1746	Roller Clutch Inner Tube	TGT2834	Spool Clutch Pin	TGT2807	Screw (accessory)
TGT1748	Drag Washer	TGT2835	Set Plate	TGT2869	Wrench (accessory)